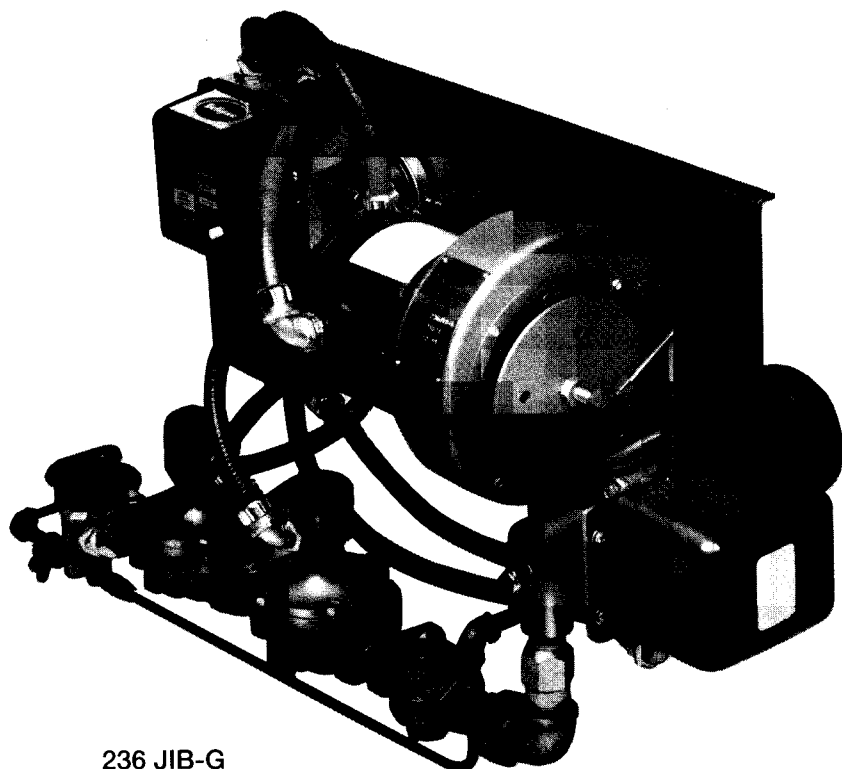


# ECLIPSE JUNIOR INDUSTRIAL BURNERS

Models 210 & 236 "JIB"



236 JIB-G

- Easy to install and operate.
- Rugged construction for long life in industrial environments.
- Protection against overheating from residual oven heat.
- Electronic flame monitoring.
- Two automatic gas shut-off valves.
- Air flow proving switch.
- 100% factory tested and adjusted.

Eclipse Junior Industrial Burners (JIB) are packaged burners that are easy to install, simple to operate, and offer long service life in industrial environments. They are fully piped, wired, tested, and adjusted before shipment. To install the burner, simply mount it on the oven or furnace and connect gas and electricity. To operate the burner, just turn the burner switch on or off as required.

JIB burners feature protection against overheating when the blower is off. Should hot gases flow back into the burner, a thermal switch will start the blower automatically, cooling the burner and preventing damage.

JIB Burners are ideal for use in ovens, furnaces, kilns, or incinerators requiring simple burner operation and easy maintenance.



**ECLIPSE COMBUSTION**

## Specifications

<b>Inputs</b>	<b>Burner</b>	<b>Btu/hr.</b>	<b>kW</b>		
Natural gas or propane vapor	210 JIB-F	750,000	219.8		
	236 JIB-G	1,000,000	293.0		
<b>Gas Inlet Pressures</b>	<b>Burner</b>	<b>Minimum</b>	<b>Maximum</b>		
At valve train inlet	210 JIB-F	5.0" w.c.	12.5 mbar	14.0" w.c.	34.8 mbar
	236 JIB-G	8.3" w.c.	20.7 mbar	14.0" w.c.	34.8 mbar
<b>Electrical Supply</b>	120 VAC, 1 cycle, 60 hz.				
<b>Motor Type</b>	210 JIB-F:	1/25 hp, 1550 rpm, open, with built-in overload protection.			
	236 JIB-G:	1/6 hp, 3600 rpm, TEFC, with built-in overload protection.			
<b>Firing Chamber Limits</b>	Draft required: 0.05" w.c. (0.1 mbar) to 1.5" w.c. (3.7 mbar). JIB burners will not operate against any backpressure.				
<b>Ambient Temperature Limits</b>	-40° to +104° F (-40° to +40° C)				
<b>Materials</b>	Burner Body:	Cast iron			
	Blower Housing:	Cast iron.			
	Impeller:	Steel.			
	Flame tube:	Cast iron.			
<b>Net Weight</b>	72.5 pounds	32.9 kilograms			
<b>Models</b>	<b>Burner</b>	<b>Assembly</b>	<b>Flame Monitor</b>	<b>Sensor</b>	<b>Sensor #</b>
	210 JIB-F	109789-00	None <sup>1</sup>	None	---
	210 JIB-F	109789-33	Eclipse 5605-33	Flame rod	13093-3 <sup>2</sup>
	210 JIB-F	109789-01	Honeywell RA-890F	Flame rod	13093-3 <sup>2</sup>
	210 JIB-F	109789-04	PCI 7256 BE	Flame rod	13093-3 <sup>2</sup>
	210 JIB-F	109789-32	Eclipse 5605-32	UV scanner	10939
	210 JIB-F	109789-02	Honeywell RA-890G	UV scanner	16281
	210 JIB-F	109789-05	PCI 7256 BE	UV scanner	17265
	236 JIB-G	109749-00	None <sup>1</sup>	None	---
	236 JIB-G	109749-33	Eclipse 5605-33	Flame rod	13093-3 <sup>2</sup>
	236 JIB-G	109749-01	Honeywell RA-890F	Flame rod	13093-3 <sup>2</sup>
	236 JIB-G	109749-04	PCI 7256 BE	Flame rod	13093-3 <sup>2</sup>
	236 JIB-G	109749-32	Eclipse 5605-32	UV scanner	10939
	236 JIB-G	109749-02	Honeywell RA-890G	UV scanner	16281
	236 JIB-G	109749-05	PCI 7256 BE	UV Scanner	17265

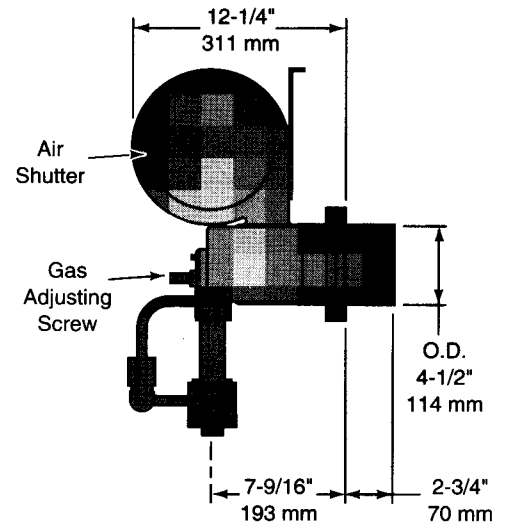
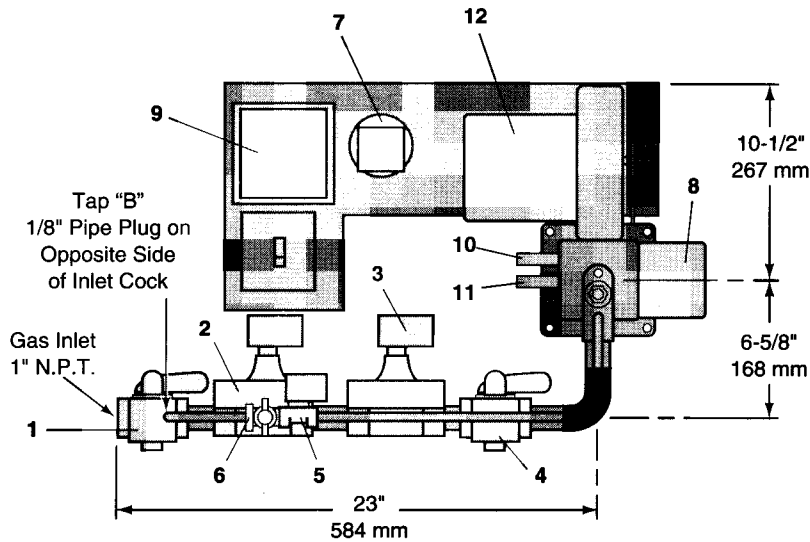
<sup>1</sup> Burners ordered less relay include an ignition plug, ignition transformer, and ignition cable. The customer must supply a suitable flame monitoring relay, base, and flame sensor meeting local and/or insurance requirements. To mount a UV scanner on the burner, order scanner adaptor #19748.

<sup>2</sup> Flame rod #13093-3 is furnished 3-1/4" long; it must be cut to 2-1/2" long to be used in the burner.

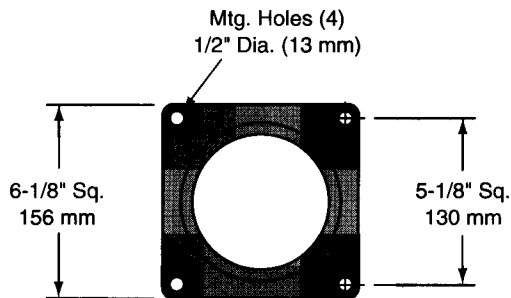
**Flame monitoring equipment supplied with these burners by Eclipse may or may not meet local safety and/or insurance requirements. The owner/user and/or his insurance underwriter must assume responsibility for the acceptance, use, and proper maintenance of flame supervision, limit controls, and other safety devices.**

# Dimensions & Parts List

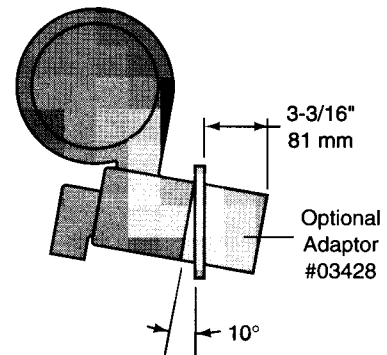
## 210 JIB-F & 236 JIB-G Burner



### Mounting Flange Detail



### Optional 10° Adaptor



Item	Function	Description	210 JIB-F	236 JIB-G
1	Manual Gas Cock	Essex	19122	19122
2	Automatic Gas Shut-Off	Eclipse Solenoid	13250	13250
3	Automatic Gas Shut-Off	Eclipse Solenoid	13250	13250
4	Manual Gas Cock	Essex	19122	19122
5	Automatic Pilot Valve	Eclipse Solenoid	16728-1	16728-1
6	Adjustable Pilot Cock	---	12659	12659
7	Air Flow Switch	SMDF-12C133	14494	14494
8	Ignition Transformer	RA-890G or PCI UV All other burners	13551 612-6A020E	13551 12178
9	Flame Monitor	See model under "Specifications."		
10	Flame Sensor	See model under "Specifications."		
11	Spark Plug	---	16946-6	16946-6
12	Blower Motor	See "Specifications"	11366	12995



**Offered By:**

Power Equipment Company  
2011 Williamsburg Road  
Richmond, Virginia 23231  
Phone (804) 236-3800  
Fax (804) 236-3882

---

[www.peconet.com](http://www.peconet.com)